

Addenda #1

Date Issue: April 3, 2024
Project: "Add Cooling Tower – Central Fire Station, Bay St. Louis, Mississippi"
Bid Date: Friday, April 5, 2024
Bid Location: Bay St. Louis City Hall, Conference Room, 2nd floor, located at 688 Highway 90, Bay St. Louis, MS 39525 until 10:00 AM.

Specifications

1. 15600 – 1.1 B – Fluid Cooler Coil – stainless steel.
Be advised, per specifications, for any alternative from equipment used as a basis the contractor is responsible for any alterations to piping, power, controls, insulation, and structural requirements. Those adjustments do not constitute an "extra" cost to the Owner after the bid.

Drawings

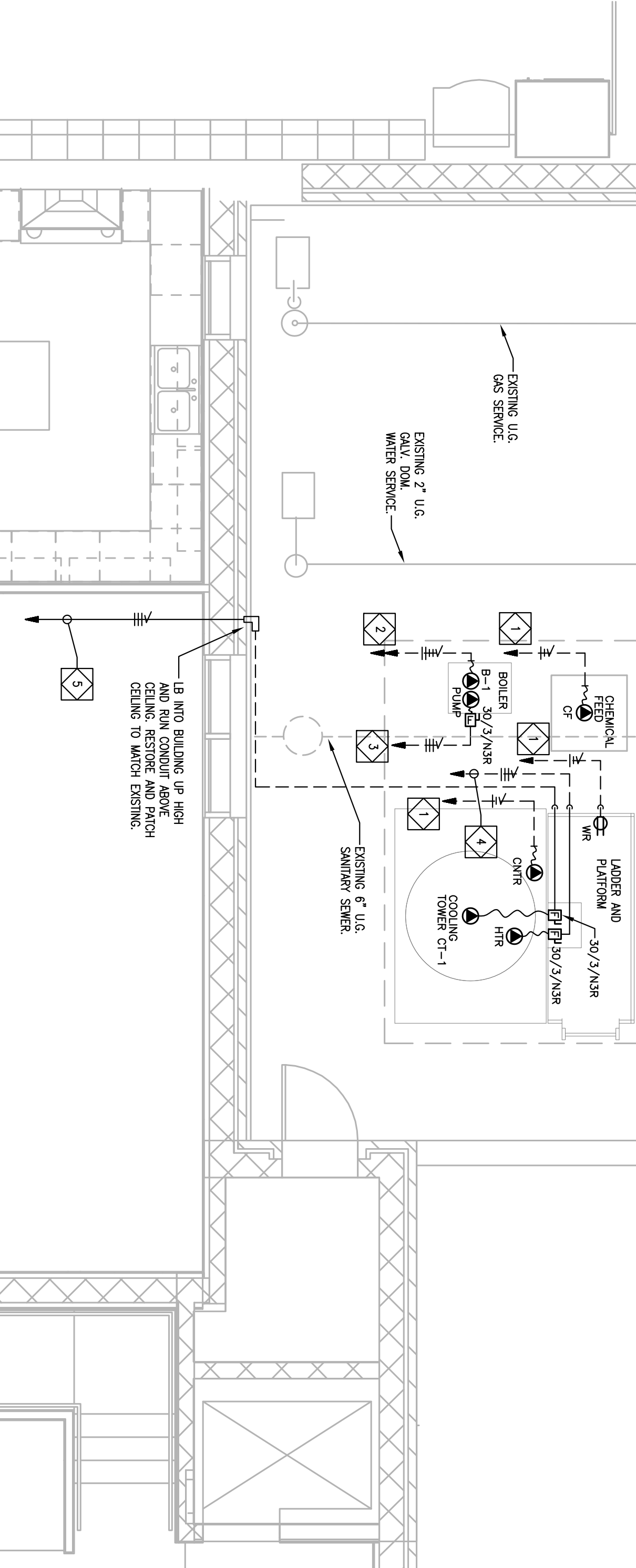
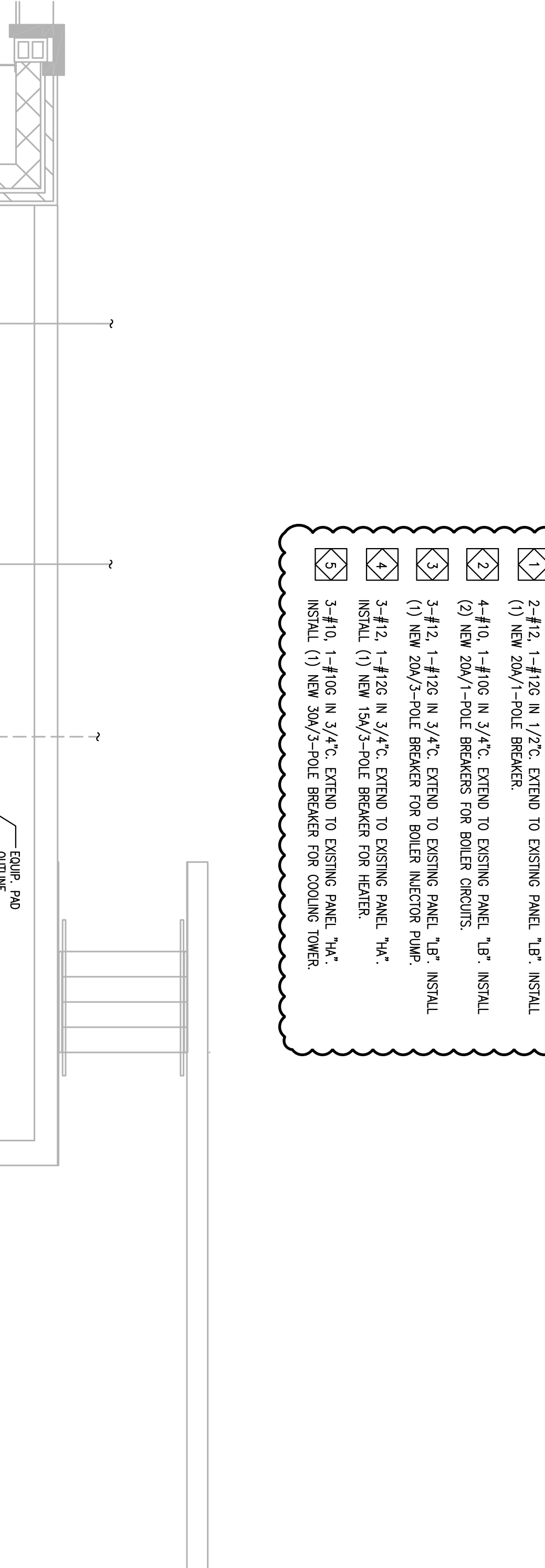
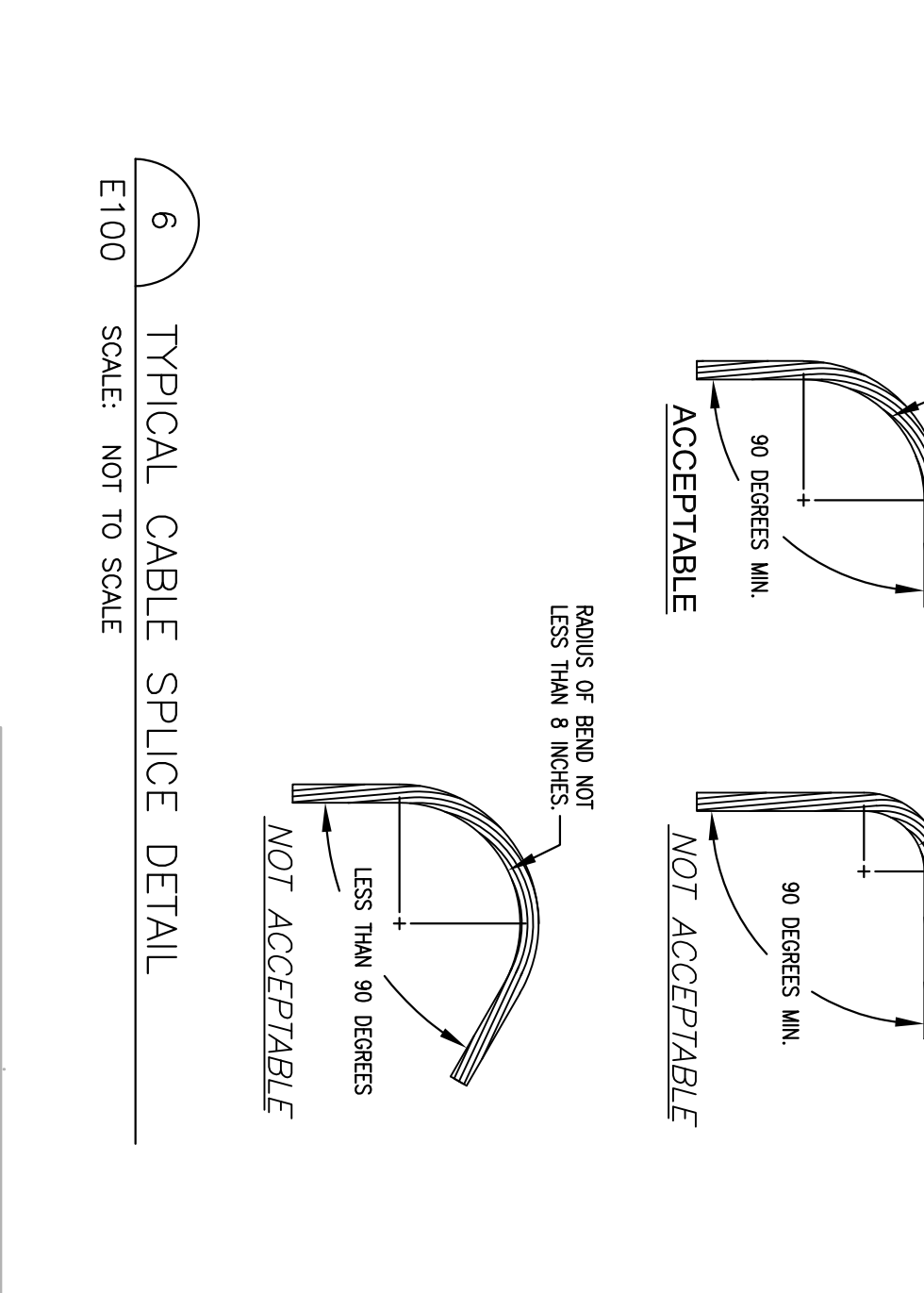
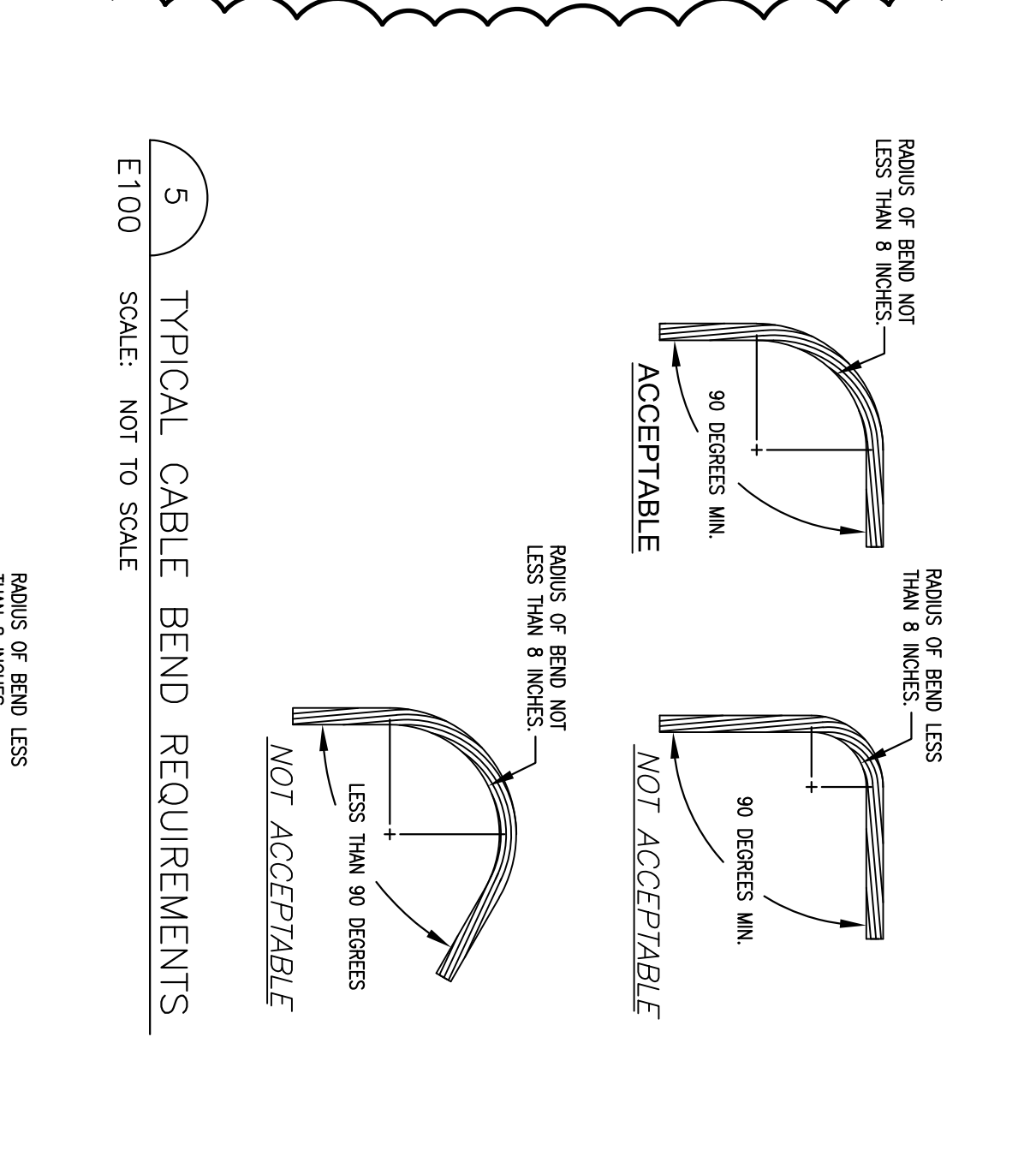
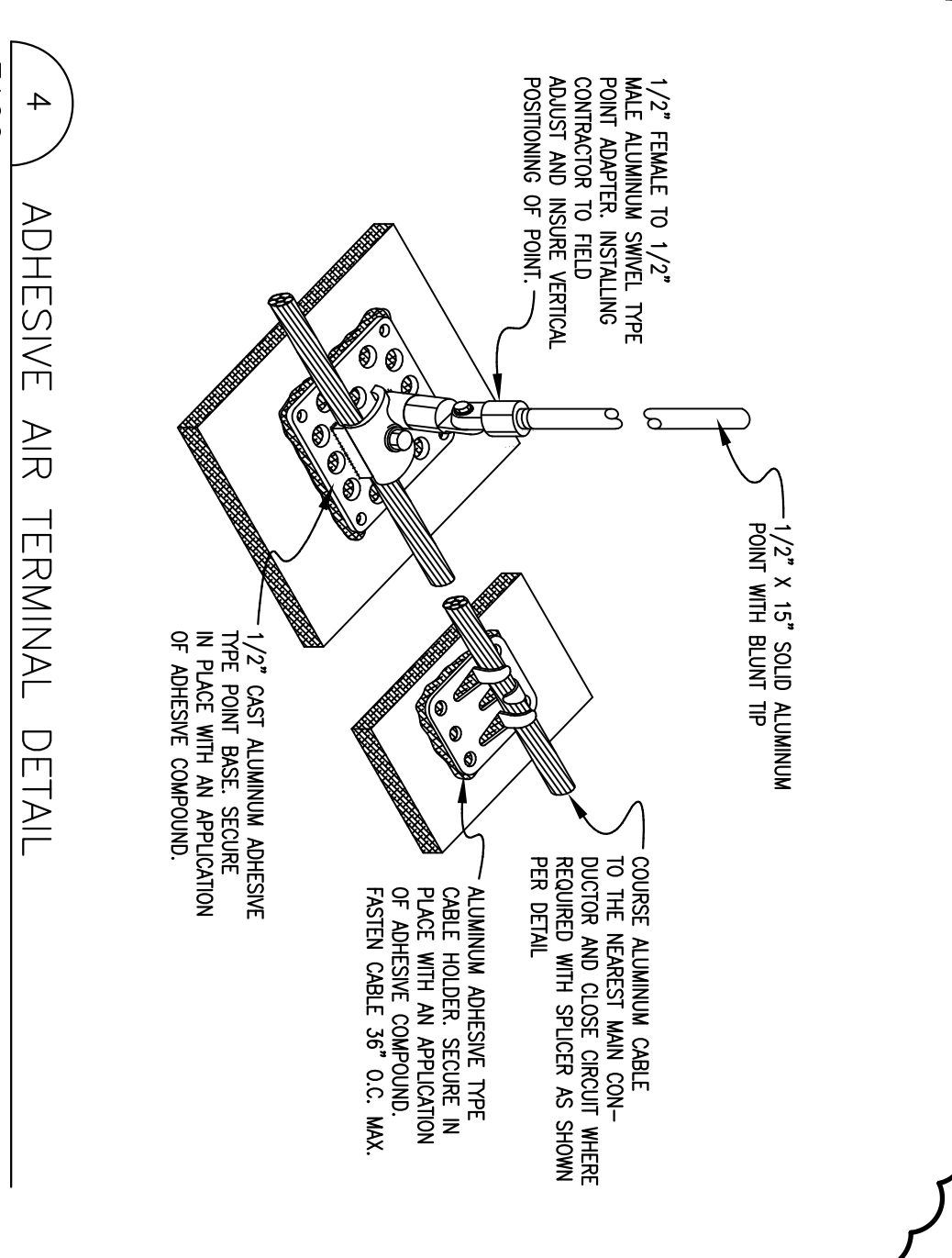
1. Omit Sheet E100 – Electrical Plan – add attached E100R – Electrical Plan - the use of MC cable is approved in confined spaces, all outdoor conduit shall be galvanized GRS. Also, per attached is lightning arrestor plan. The tower must be protected for lightning strikes.

Important: Be sure to include acknowledgement of this addendum on Bid Form with date issued!

ELECTRICAL LEGEND	
SWITCHGEAR	CONDUIT AND WIRE
<ul style="list-style-type: none"> ☐ RIGID SHEATH SWITCH ☐ NEW 30 AT WET LOCATIONS ☐ EXISTING PANELBOARD TO REMAIN ☐ JUNCTION BOX ○ SPECIAL ELECTRICAL CONNECTION ○ BOLLER ELECTRICAL CONNECTION ○ COOLING TOWER ELECTRICAL CONNECTION ○ CONTROL CIRCUIT ELECTRICAL CONNECTION ○ PUMP ELECTRICAL CONNECTION ○ CHEMICAL FEED ELECTRICAL CONNECTION ○ HEATER ELECTRICAL CONNECTION 	<ul style="list-style-type: none"> — FLEXIBLE CONDUIT, SEPARATE AT WET LOCATIONS — CONDUIT CONCEALED IN WALL OR ABOVE CEILING — CONDUIT BELOW FLOOR OR CONCEALED IN WALL — CONDUIT EXPOSED — MULTIPLE CIRCUIT CONDUCTORS IN CONDUIT WITH IDENTIFIERS — GROUND CONDUCTORS IN CONDUIT — CONDUIT UP — CONDUIT DOWN — CIRCUIT HARDWIRED TO PANEL BOARD — XX-XX DEVICES PANEL BOARD AND CIRCUIT NUMBER — CONTINUATION OF CONDUIT RUN
DEVICES	
<ul style="list-style-type: none"> ☐ 50 AMPERES RESERVE HIGH VOLTAGE ☐ 20A, 150V WITH IN-USE WATERPROOF COVER 	

- ### ELECTRICAL GENERAL NOTES AND SPECS
- CONTRACTOR SHALL VISIT THE SITE AND BECOME FAMILIAR WITH EXISTING CONDITIONS PRIOR TO BEING WORK. NO APPROX. SCOPE WILL BE AUTHORIZED DUE TO LACKING OF UNDERSTANDING ON EXISTING CONDITIONS.
 - ALL ELECTRICAL WORK SHALL BE IN ACCORDANCE WITH THE NATIONAL ELECTRICAL CODE, AND NATIONAL ELECTRICAL CODES APPLICABLE TO THE PROJECT. THE CONTRACTOR SHALL BE RESPONSIBLE FOR OBTAINING ALL NECESSARY PERMITS AND APPROVALS FROM THE LOCAL AUTHORITIES.
 - SUB-STANDING BY THE OWNER OR THE ENGINEER'S EXPENSE. UNTIL ALL ELECTRICAL SYSTEMS TO BE PROVIDED AS INDICATED BY THE CONTRACT DOCUMENTS, THE CONTRACTOR SHALL BE RESPONSIBLE FOR THE PROTECTION AND MAINTENANCE OF ALL EXISTING ELECTRICAL SYSTEMS.
 - REWORK SHALL BE PROVIDED AS THE INSTALLATION CONTRACTOR SHALL PROVIDE AND REPAIR ALL NECESSARY COMPONENTS, INCLUDING THE PROTECTION AND MAINTENANCE OF ALL EXISTING ELECTRICAL SYSTEMS.
 - FOR PURPOSES OF ACCESS AND ESSENTIAL SERVICES, INDICATED EQUIPMENT SIZES AND MANUFACTURER'S DATA AND INFORMATION SHALL BE PROVIDED TO THE CONTRACTOR FOR ALL TRAILING AND MOUNTING REQUIREMENTS BY THE LOCAL AUTHORITY.
 - PROVIDE 1 YEAR WARRANTY RECORD DRAWINGS AND OPERATIONAL MAINTENANCE MANUALS ON ALL ELECTRICAL EQUIPMENT. DURING THE WARRANTY PERIOD, THE CONTRACTOR SHALL BE RESPONSIBLE FOR THE PROTECTION AND MAINTENANCE OF ALL EXISTING ELECTRICAL SYSTEMS.
 - ALL REPAIRS, PATCHES, SHALL BE PERFORMED IN ACCORDANCE WITH THE LOCAL AUTHORITY. DURING THE WARRANTY PERIOD, THE CONTRACTOR SHALL BE RESPONSIBLE FOR THE PROTECTION AND MAINTENANCE OF ALL EXISTING ELECTRICAL SYSTEMS.
 - FOR CONDUITS SMALLER THAN 2" CONDUITS 2" AND ABOVE SHALL HAVE STEEL SET SCREW FITTINGS. ALL EXPOSED CONDUITS SHALL BE GALVANNEZED RIBBON TO 10 FEET ABOVE FINISHED FLOOR WHEN INSTALLED IN AREAS SUSCEPTIBLE TO DAMAGE.
 - CONDUITS SHALL BE INSTALLED PERPENDICULAR TO BUILDING STRUCTURE. DO NOT INSTALL CONDUITS AT "WALLED" / "EAVES" / "SHIRT" POINT.
 - ALL CONDUITS SHALL BE INSTALLED PERPENDICULAR TO BUILDING STRUCTURE. DO NOT INSTALL CONDUITS AT "WALLED" / "EAVES" / "SHIRT" POINT.
 - ALL WIRING SHALL BE IN ACCORDANCE WITH THE NATIONAL ELECTRICAL CODE, AND NATIONAL ELECTRICAL CODES APPLICABLE TO THE PROJECT.
 - ALL ELECTRICAL DEVICES SHALL BE HEAVY DUTY AND RATED FOR VOLTAGE AND AMPLITUDE OF EQUIPMENT BEING SERVED, UNLESS NOTED OTHERWISE. CONDUITS SHALL FOLLOW MECHANICAL PIPING, SHROTT AND PIPING AS REQUIRED.
 - SMALLER, STARTERS, CABINETS, EQUIPMENT, PLATES SHALL INCLUDE EQUIPMENT DESIGNATION AND PANEL/CIRCUIT DESIGNATION.
 - PROVIDE IDENTIFICATION PLATES OF LARGE SIZE TO IDENTIFY ALL ELECTRICAL FUNCTION, VOLTAGE AND PHASE OF EQUIPMENT.
 - SEAL ALL WALL PENETRATIONS WITH AN APPROVED CALK COMPOUND TOUL TO 3/4" FREE BARRED CALK.
 - COMPONENT FINISHING OF WORK WITH APPLICABLE FINISHES AND OTHER TRADES / SPECIALTIES FOR ELECTRICAL INSTALLATIONS.
 - NOTIFY THE DESIGNER IMMEDIATELY OF ANY FIELD DISCREPANCIES PRIOR TO PROCEEDING WITH REPAIRS OR OTHER WORK.

- ### LIGHTNING PROTECTION INSTALLATION NOTES
- THE DESIGN LAYOUT AND INSTALLATION SHALL MEET THE REQUIREMENTS OF UNDERWRITERS LABORATIONS STANDARD 30A FOR MASTER LABELED LIGHTNING PROTECTION SYSTEMS.
 - THE DESIGN LAYOUT AND INSTALLATION SHALL MEET THE REQUIREMENTS OF NATIONAL FIRE PROTECTION ASSOCIATION STANDARD 780A, CURRENT EDITION.
 - NO BEND OF A CONDUCTOR SHALL BE LESS THAN 90 DEGREES.
 - CONDUCTORS SHALL INTERCONNECT ALL AIR TERMINALS AND SHALL FORM A TWO-WAY PATH FROM EACH AIR TERMINAL, HORIZONTAL OR DOWNWARD TO CONNECTIONS WITH GROUND TERMINALS.
 - ALL LIGHTNING PROTECTION CONDUCTORS SHALL BE FASTENED NOT MORE THAN 3" MAXIMUM SPACING.
 - ACTUAL JOB-SITE CONDITIONS MAY NECESSITATE SLIGHT ADJUSTMENTS IN AIR TERMINAL AND GROUND ROD LOCATIONS.
 - AIR TERMINALS SHALL BE PLACED AT ALL UNPROTECTED OUTSIDE CORNERS OF EQUIPMENT.
 - FOR THE SAKE OF CLARITY, WE HAVE NOT LABELED EACH INDIVIDUAL LEG OF LIGHTNING PROTECTION CONDUCTORS ON THE PLAN. WE HAVE SHOWN INSTALLATION DETAILS AND HAVE CALLED OUT EACH OF THE LIGHTNING PROTECTION SYSTEMS TO BE INSTALLED IN A NEXT AND SEPARATE SHEET.
 - THE LIGHTNING PROTECTION SYSTEM SHALL BE INSTALLED IN A MANNER AND MANNER AS SHOWN SO THAT ALL COMPONENTS WILL BEND IN WITH THE APPEARANCE OF THE BUILDING.



- ### SPECIAL ELECTRICAL NOTES:
- 2-#12, 1-#10 IN 1/2" CONDUIT TO EXISTING PANEL, 1.5" INSTALL
 - (1) NEW 20A/1-POLE BREAKER
 - 4-#10, 1-#10 IN 3/4" CONDUIT TO EXISTING PANEL, 1.5" INSTALL
 - (2) NEW 20A/1-POLE BREAKERS FOR BOLLER CIRCUITS
 - 3-#12, 1-#10 IN 3/4" CONDUIT TO EXISTING PANEL, 1.5" INSTALL
 - (1) NEW 20A/3-POLE BREAKER FOR BOLLER MOTOR 70AHP
 - 3-#12, 1-#10 IN 3/4" CONDUIT TO EXISTING PANEL, 1.5" INSTALL
 - (1) NEW 15A/3-POLE BREAKER FOR HEATER
 - 3-#10, 1-#10 IN 3/4" CONDUIT TO EXISTING PANEL, 1.5" INSTALL
 - (1) NEW 30A/3-POLE BREAKER FOR COOLING TOWER

JOB NO.	23056
DATE:	2-8-2024
DRAWN BY:	WH
DESIGNED BY:	GPW
CHECKED BY:	GPW

21052
CITY OF BAY ST. LOUIS
BAY ST. LOUIS, MISSISSIPPI
ADD COOLING TOWER - CENTRAL FIRE HOUSE
EXISTING UTILITIES AND DEMOLITION

STEPHENS
MECHANICAL ENGINEERING LLC.

925 TOMMY MUNRO DR., SUITE B
BILOXI, MISSISSIPPI 39532
228.237.3322 OFFICE
207.334.6 FAX
LES@STEPHENSMECHENG.COM